

RP7500 E Portable Generator

EPA (490-6491), CARB (502-3690), CSA (502-3691)



7500 W Running | 9375 W Starting

Features

- Reliable power when you need it for home, work and play
- Easy to set up and operate
- Built tough with a heavy-duty frame, never-flat wheels and a padded, double-hinged, locking handle
- All-steel construction
- Enhanced safety features like automatic low-oil shutdown, covered wiring and added GFCI protection
- Pull and electric start with long lasting Lithium Ion battery
- Automatically charges the battery when running



Because of continuing improvements, actual product may differ slightly from this photo.

Control Panel



RP7500 E Portable Generator

EPA (490-6491), CARB (502-3690), CSA (502-3691)



Specifications

| ENGINE | |
|----------------------------|-------------------------------------|
| Starting Method | Electric or Pull |
| Run Time @ 50% Load | 11 hours |
| Idle Control | - |
| Fuel Tank Nominal Capacity | 7.9 gal / 30 L |
| Fuel Tank Material | Metal |
| Fuel Type | Unleaded Gasoline \geq 87 octane* |
| Fuel Gauge | Dial Gauge |
| Engine Displacement | 420 cc |
| Engine Type | OHV |
| Engine Speed | 3600 RPM |
| Lubrication Method | Splash |
| Recommended Oil | SAE 30 or 10W-30 |
| Oil Capacity | 1.1 qt / 1 L |
| Region Certifications | EPA, CARB, CSA |
| Shutdown Method | Automatic Low Oil Level |

| ELECTRICAL | |
|---------------------------------|---|
| Running Power | 7500 Watts |
| Starting Power | 9375 Watts |
| AC Output | 120V / 240V @ 60 Hz |
| DC Output | - |
| Total Harmonic Distortion (THD) | - |
| Receptacles | 2x 5-20R GFCI Duplex 1x L5-30R (Twist Lock) 1x L14-30R (Twist Lock) |
| Voltage Regulation | Automatic Voltage Regulation (AVR) |
| Battery Type | Self-Charging Lithium Ion |

| EXTRA FEATURES | |
|---------------------------|-----------------------|
| Illuminated Control Panel | Yes |
| Handle Style | Padded, Double Hinged |
| Wheel Type | Never-Flat |
| Indicator Lights | - |
| USB | - |

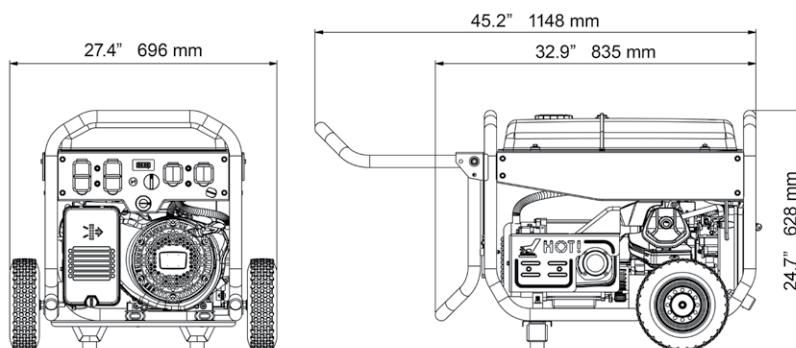
WARRANTY Standard 2-year limited, extended to 3-year limited when registered within 30 days

*No more than 10% ethanol; fuel stabilizer should also be used for storage

Dimensions and Weights

| ASSEMBLED | |
|-------------------|-------------------|
| Height | 24.7 in / 628 mm |
| Width | 27.4 in / 696 mm |
| Length | 32.9 in / 835 mm |
| Extended Length | 45.2 in / 1148 mm |
| Unit Weight (Dry) | 207 lbs / 94 kg |

| CARTON | |
|-----------------|------------------|
| Height | 23.2 in / 590 mm |
| Width | 22.6 in / 575 mm |
| Length | 34.4 in / 875 mm |
| Shipping Weight | 219 lbs / 99 kg |



© 2018 Caterpillar. All Rights Reserved.
CAT, CATERPILLAR, their respective logos, "Caterpillar Yellow," the "Power Edge" trade dress, as well as corporate and product identity used herein, are trademarks of Caterpillar and may not be used without permission.

Accessories

Large Protective Cover (502-3706)



RP6500 E and RP7500 E Service Kit (502-3704)



Multi Connector Power Cord (25FT) (502-3692)



LEHQ0016-02