

# Hydraulic Attachment Tools



## Hydraulic Compactors - Technical data



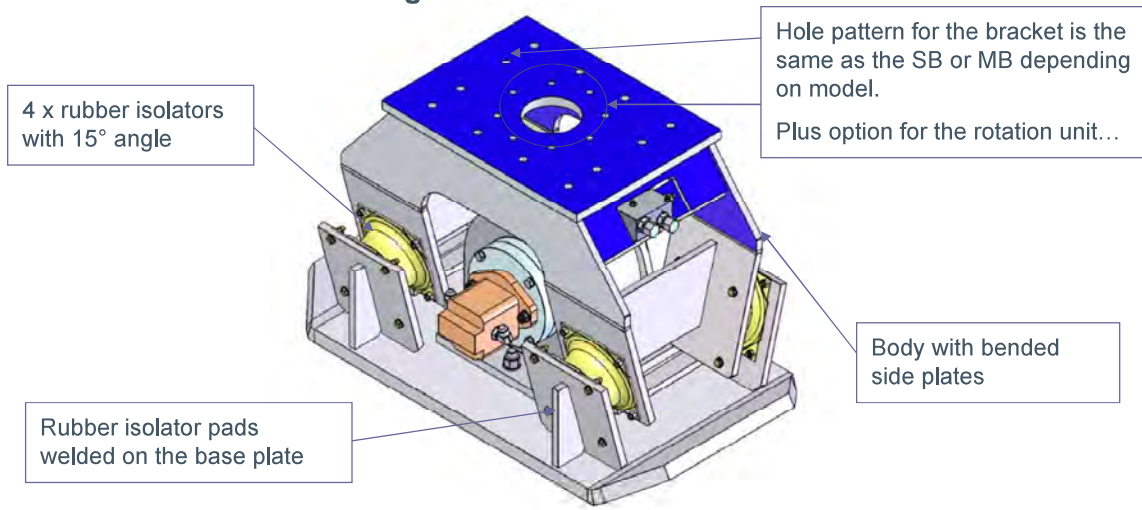
HC Hydraulic Compactors		HC 150	HC 350	HC 450	HC 850	HC 1050
Carrier weight class	lbs	2,000 – 6,500	6,500 – 17,500	9,000 – 20,000	20,000 – 44,000	44,000 – 90,000
Service weight	lbs	350	750	950	1,950	2,500
Oil flow rate	gpm	8	15	20	30	40
Operating pressure	psi	2,175	2,175	2,175	2,175	2,175
Force	lbs	3,080	5,080	7,935	16,095	23,155
Plate dimensions	W x L inch	11.6 x 28.4	18.7 x 33.3	24 x 36.6	28 x 50.1	34 x 53.7
Frequency	cpm	2,100	2,100	2,200	2,200	2,200
Bolt hole pattern		MTG 02/SB152	MTG 04/SB202		MTG 06	MTG 08

# SDT – Silent Deconstruction Tools



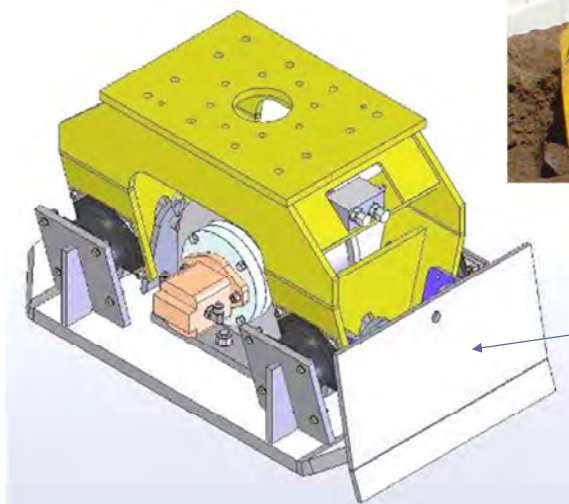
## HC – Hydraulic Compactors

### Design



# Hydraulic Compactors

## Backfill blade - optional



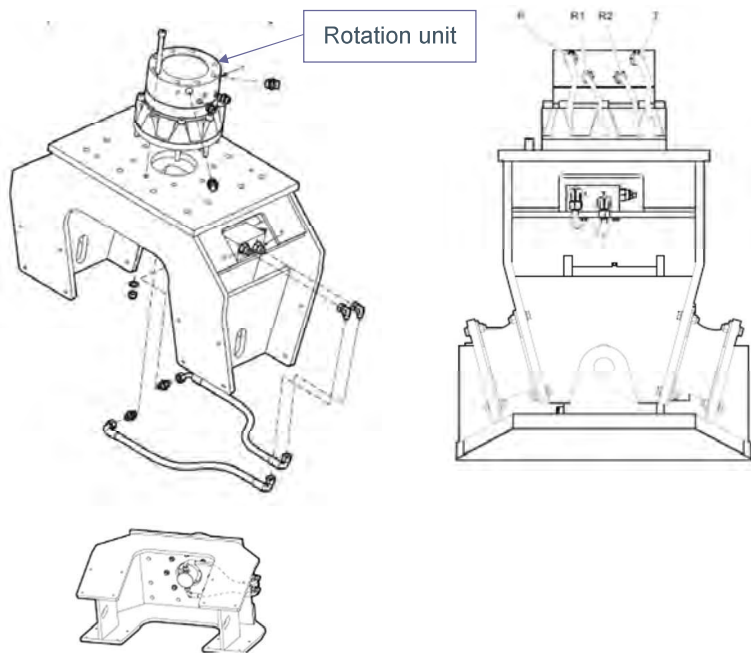
Backfill blade for grading and moving soil etc. material on site...

Available for HC 350 to HC 1055



# Hydraulic Compactors

Rotation unit - optional



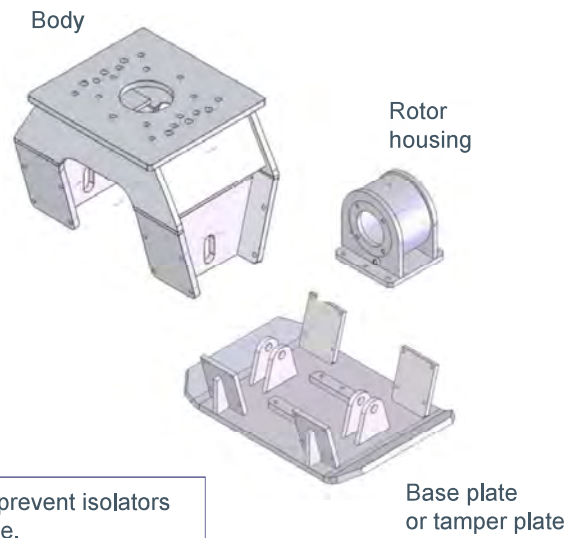
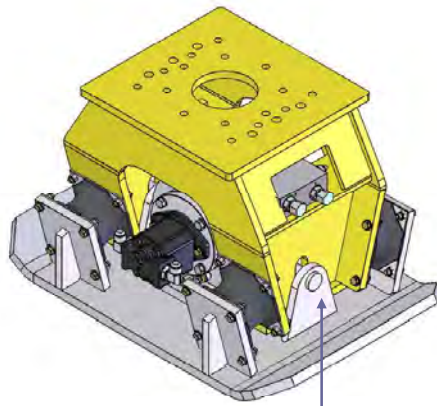
# Hydraulic Compactors



rights reserved.

# Hydraulic Compactors

## Axle Bolt (mechanical stop pin)



Mechanical stop (pins) are used to prevent isolators from tearing out during extraction use.  
Available on all new compactors except HC 150...

# Hydraulic Compactors

## Pile driving & pulling

