

RW RWA



SELF-LEVELLING WHEEL SAWS

RW 150 | RW 300 | RW 350 | RW 500 | RWA 500

SEGMENTED WHEEL
(only RW and RWA 500 models).
Disk with removable, interchangeable segments allows quick variation of the trench width while maintaining the same base wheel.

Nebulizer for dust suppression



WATCH THE VIDEO

Scan the QR code using your smartphone



PERFORMER

Performer (Simex patented): allows the operator to optimize the equipment's performance according to the forward speed of the operating machine.

HYDRAULIC LATERAL TILT

(only RWA model).

Simex patented, allows cutting disk to be always vertical and perpendicular to ground, even when operating machine is not parallel to the road surface.

SIDE DISCHARGE OF MATERIAL

The special design of outlets allows trench to be cleared efficiently at the depth programmed. Milled material is discharged on both right and left.

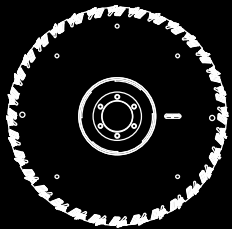
SIMEX
• patented •

Designed for skid steer mounting, Simex RW and RWA wheel saws offer a variety of solutions for working on hard or compact surfaces such as asphalt, cement and rock: cutting and narrow trenches, set-section trenches, mini- and micro-trenches for laying fibre optic cables.

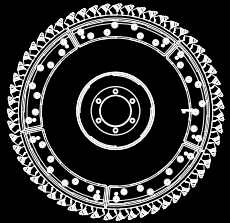
THE SELF-LEVELLING SYSTEM

ensures constant trench depth in any condition, regardless of ground contour or the position of the attachment with respect to the prime mover.

AVAILABLE WHEELS:



STANDARD WHEEL



SEGMENTED WHEEL

STANDARD TEETH FOR ASPHALT CEMENT AND ROCK



For wheel widths between 25 and 30 mm



For wheel widths between 40 and 50 mm



For wheel widths 80 mm or greater

OPTIONALS



CONVEYOR BELT



ASPIRATION KIT



RW 350. Mini-trench with 30 mm wide wheel.



RWA 500. Wheel saw is always vertical thanks to hydraulic lateral tilt, even when prime mover is not parallel to the road surface.



RW 150 on front loader. Micro-trench at 150 mm depth and 25 mm width.



RW 500. Trench at 500 mm depth for laying fibre optic cables.



RW 350. Mini-trench, 80 mm width.



RW 500 Mini-trench on roadside - 80 mm width and 500 mm depth - for later laying of fibre optic cables.



RW 500 Trench at 120 mm width for laying fibre optic cables.

MINI- AND MICRO-TRENCHING

Unlike with conventional trenching, mini- and micro-trenching are much faster, with much lower production of waste material, considerably lower restoration times and costs. Furthermore, possibility of using smaller operating machines reduces the size of road construction sites benefiting traffic conditions, especially in urban areas.



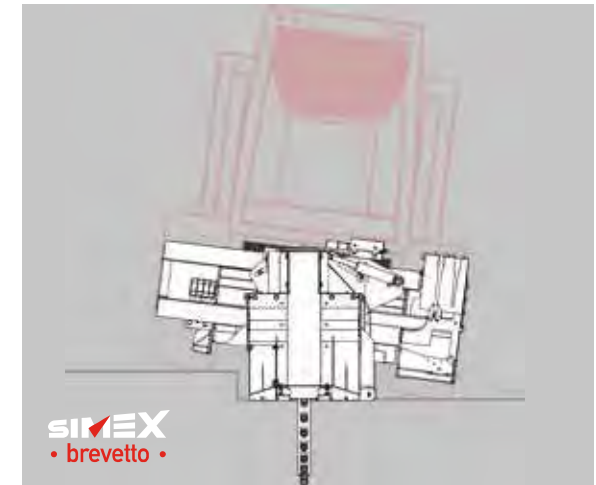
RW 150, RW 300 AND RW 350: FOR MOUNTING ON SKID STEER LOADERS AND EXCAVATORS

Specifically designed for micro- and mini-trenching for fibre optic cable installation in final connections to buildings, RW 150, RW 300 and RW 350 stand out for their versatility: they are designed for both skid steer and excavator boom mounting (with special mounting bracket). The two attachments ensure cutting and small-section trenches on hard and compact surfaces such as asphalt and cement, for trench widths from 25 to 80 mm and depths from 100 to 350 mm.



HYDRAULIC LATERAL TILT

The RWA 500 model is fitted with hydraulic lateral tilt, which allows keeping wheel saw always vertical, even when prime mover is not parallel to the road surface, as in the case of trenching near kerbs.



SEGMENTED WHEEL

RW and RWA models are fitted with segmented wheels. This allows quick variation of the trench width while maintaining the same base wheel. Segments range from a minimum of 50 up to 120 mm width. Assembling and disassembling segments can be done without long machine downtimes or needing the workshop.



Scan the QR code using your smartphone



TECHNICAL DATA			RW 150	RW 300	RW 350	RW 500	RWA 500
Trench width	A	mm inch	25 - 30 - 40 - 50 1 - 1.2 - 1.6 - 2	25 - 30 - 40 - 50 - 80 1 - 1.2 - 1.6 - 2 - 3.2	25 - 30 - 40 - 50 - 80 1 - 1.2 - 1.6 - 2 - 3.2	50 - 80 - 100 - 120 2 - 3.2 - 4 - 5	50 - 80 - 100 - 120 2 - 3.2 - 4 - 5
Trench depth	B	mm inch	100 - 125 - 150 4 - 5 - 6	200 - 250 - 300 8 - 10 - 12	250 - 300 - 350 10 - 12 - 14	250 - 500 10 - 20	250 - 500 10 - 20
Depth adjustment			mechanical	mechanical	mechanical	hydraulic	hydraulic
Side shift			mechanical	hydraulic	hydraulic	hydraulic	hydraulic
Wheel type			standard	standard	standard	segmented	segmented
Operating weight (1)		kg lbs	225 (2) - 240 (3) 450 (2) - 530 (3)	730 (2) - 790 (3) 1600 (2) - 1740 (3)	940 (2) - 1030 (4) 2070 (2) - 2250 (4)	1275 - 1340 2800 - 2950	1300 - 1400 2860 - 3080
Required oil flow		l/min gpm	30 - 65 8 - 17	60 - 115 16 - 30	90 - 130 24 - 34	100 - 160 27 - 43	100 - 160 27 - 43
Maximum oil pressure		BAR psi	250 3625	300 4350	300 4350	300 4350	300 4350
Lateral tilt			-	-	-	-	●
Conveyor belt			-	-	-	□	□
Aspiration device			-	-	-	□	□

● Standard □ Upon request

(1) The installer is responsible for ensuring that the equipment meets the prime mover's specifications and weight requirement.

(2) With trench wheel width: 25 mm.

(3) With trench wheel width: 50 mm.

(4) With trench wheel width: 80 mm.

Simex does not accept responsibility or liability for the information provided.

Technical modifications may vary without prior notice.

