



# ERC-VG

## Electric Powered Cushion Tire Trucks

4,500 · 5,000 · 5,500 · 6,000 · 6,500 · 7,000 lbs

**Yale® ERC-VG** electric trucks are available in 4,500 - 7000 pound capacities designed for demanding applications that require clean, quiet-running, heavy duty capability. These trucks are extremely maneuverable and offer plenty of power and high stacking ability, while also offering excellent ergonomics, reliability and maintenance ease.

### **AC Transistor Traction Control**

AC technology offers smooth acceleration and directional changes, proportional regenerative braking and the Auto Deceleration System. The controller converts battery power to three phase AC power, and adjusts frequency and current to meet performance demands. Performance control settings and extensive diagnostics are accessible by technicians through the display or a PC. A Vehicle Systems Manager utilizing CANbus technology monitors and controls key truck components and systems. The advanced thermal management system monitors component temperature and gradually adjusts performance to prevent damage to key components.

### **Controller Area Network (CANbus)**

CANbus technology streamlines communications between truck systems through one main master controller, the Vehicle System Manager (VSM). Display, traction controller and pump controller are all controlled via the CANbus network. A connection point is provided for interface with a service PC.

Intellix VSM acts as a master truck controller, providing extensive monitoring and control of truck functions and systems. CANbus technology reduces wiring complexity and enables comprehensive communications between truck systems. The ergonomically

positioned display transmits continual feedback to the operator and allows for communication of truck status and service indicators.

### **Electrical System**

The ERC-VG forklift utilizes AC motor technology designed for exceptional performance. It uses a brushless induction motor for high starting torque and smooth rapid acceleration. A speed sensor provides feedback to the electrical system, allowing motor speed and direction to be continuously monitored.

### **Power-assist braking**

Power-assist braking is accomplished via the VSM. The VSM monitors brake line pressure. When this pressure exceeds a set threshold the VSM sends a signal to the traction controller to decelerate the traction motor proportionally to the brake pressure. The higher the brake pedal pressure being applied, the more quickly the truck will decelerate. Duo-servo hydraulic brakes are self-adjusting and self-energizing for reduced pedal effort. The master cylinder is sealed and has an external fluid level sensor connected to a warning indicator on the display. A foot applied/hand-released parking brake is manually adjustable and has an audible warning if the operator leaves the truck without applying the brake. The standard Auto Deceleration System automatically slows the truck when the operator's foot is removed from the accelerator pedal, extending brake life.

### **Voltage**

36, 48, and 80-volt systems are available in multiple battery compartment sizes to meet a variety of application requirements. The optional Premium Performance

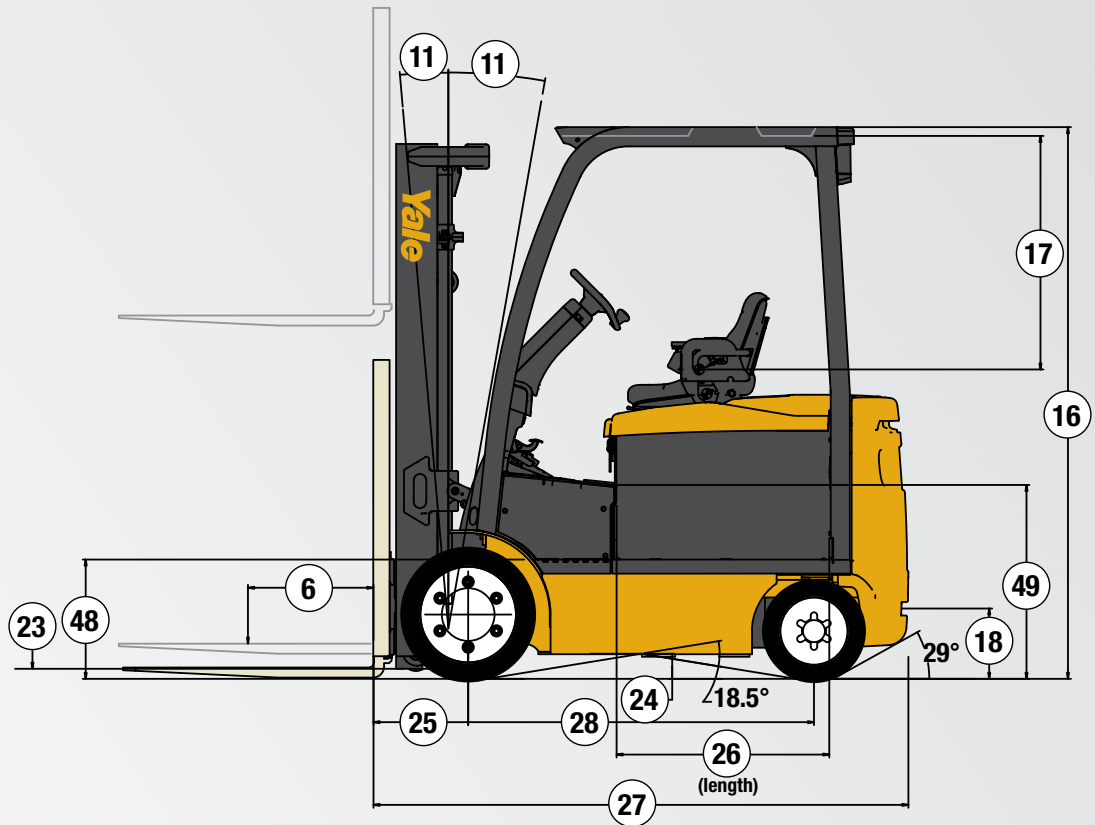
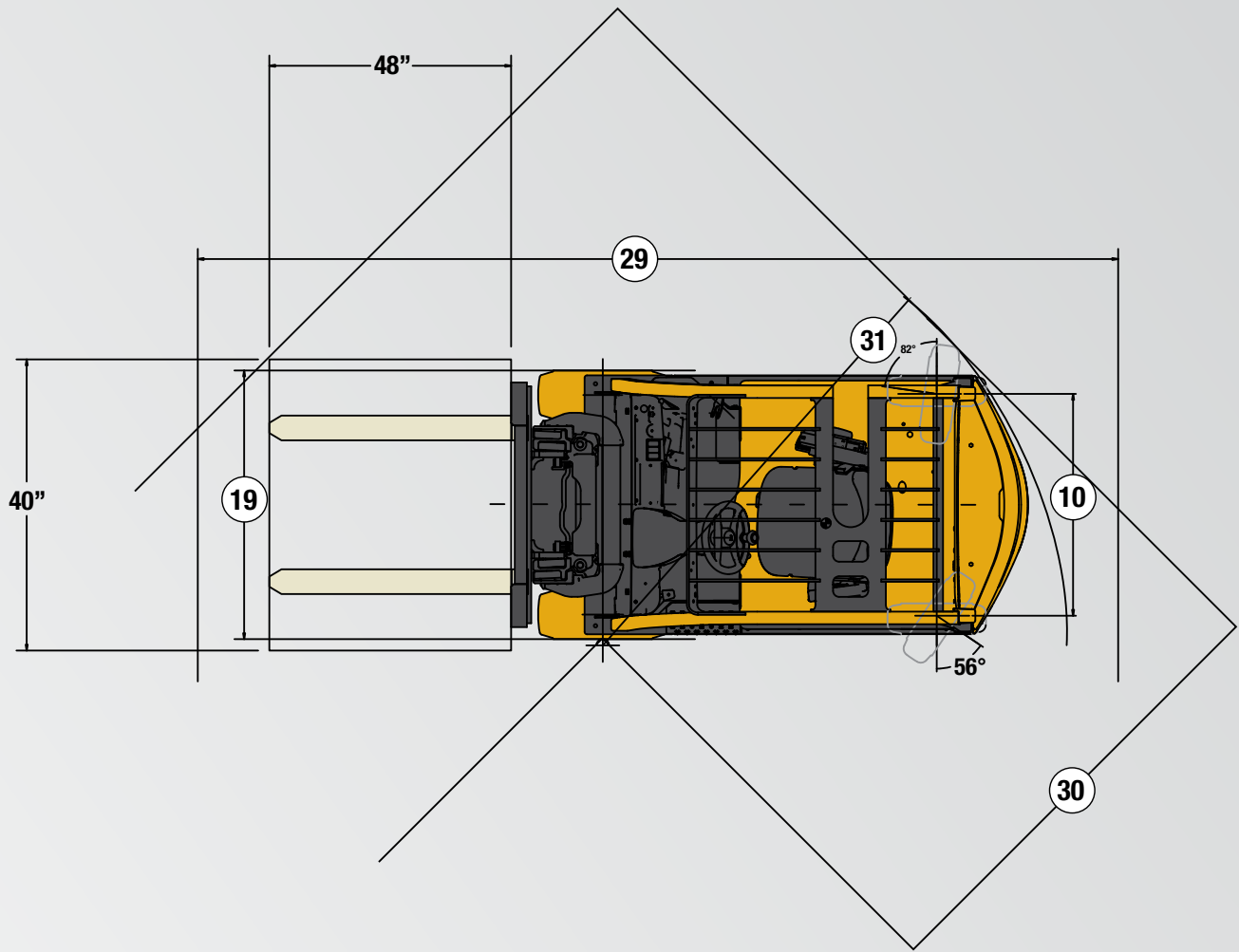
Package (48v / 80v) provides up to a 12% improvement in traction performance and 10% increase in hydraulic performance over the standard configuration. An operator presence system reduces the possibility of inadvertent truck movement.

### **Operator Interface Display**

The repositioned display is conveniently located in the upper right area of the operator's compartment. The LCD display includes an hour meter, battery discharge indicator with lift interrupt, seat belt reminder and digital clock. Additional indicators are provided for travel direction, performance mode, brake fluid level, park brake and truck status. The display also permits access for service technicians to adjust performance control settings, allowing the truck to be customized to meet customer applications. Additionally, extensive diagnostics allow service technicians to quickly troubleshoot problems. Operator selectable performance modes are standard. Options for operator passwords and a pre-shift operator checklist are also available.

*(continued on  
inside back cover)*





<b>GENERAL</b>	1	Manufacturer		Yale					
	2	Model Designation		ERC045VG					
	3	Power		Electric					
	4	Operation		Sit					
	5	Rated Capacity		lb (kg)	4500 (2041)				
	6	Load Center		in (mm)	24 (610)				
<b>TIRES</b>	7	Tire Type - Cushion, Solid, Pneumatic, etc.		Drive/Steer		Cushion/Cushion			
	8	Tire Size		Drive/Steer		in			
	9	Wheels - Number	X=Driven	Drive/Steer		2X/2			
	10	Tread	ø Tires	Std Dr/Wide Dr/Steer	in (mm)		35.1/41.9/37 (892/1064/940)		
	11	Mast Tilt		Std Opt Opt		degrees		5F/5B 10F/5B (5F/4B)	
	12	Mast - Lowered Height		Std Mast		in (mm)		83 (2085)	
<b>DIMENSIONS</b>	13	Free Lift - Top of Fork	Std 2 Stg Limited Free Lift Mast		in (mm)		5 (140)		
		Opt 2 Stg Full Free Lift Mast with/without LBR		in (mm)		33/60 (860/1525)			
	14	Life Height - Top of Fork	Std 2 Stg Limited Free Lift Mast		in (mm)		125 (3192)		
	15	Mast - Extended Height		Std Mast with/without LBR		in (mm)		174/148 (4415/3740)	
	16	Overhead Guard Height		Std/Drive in Rack/Opt/Opt Flat Plate		in (mm)		88.5/88.5/86.5/84.1 (2248/2248/2197/2137)	
	17	SIP to Bottom Std OHG	Susp at Mid-Point	Std/Susp/Swivel		in (mm)		38.3/37.4/37.3 (975/950/948)	
	18	Tow Pin Height		Vertical Center of Pin		in (mm)		11 (280)	
	19	Overall Width		Standard Tread/Wide Tread		in (mm)		42.1/48.9 (1070/1242)	
	20	Forks		Thickness x Width x Length		in (mm)		1.6 x 3.9 x 42 (40 x 100 x 1067)	
	21	Standard Carriage Width		Class II		in (mm)		38.5 (977)	
	22	Floor to Top of Battery Rollers				in (mm)		17.2 (436)	
	23	Ground Clearance	Lowest Point	NL/RL		in (mm)		3.6/3.3 (91/85)	
	24	Ground Clearance	Center of Truck	NL/RL		in (mm)		3.9/3.6 (98/92)	
	25	Load Distance		Center of Wheel to Face of Forks		in (mm)		15.4 (390)	
	26	Battery Compartment	Height	Without/With Battery Rollers		in (mm)		23.9/23.3 (607/593)	
			Width			in (mm)		39.1 (992)	
				Nominal		SIZE		27" 30" 33"	
				Actual		in (mm)		27.6 (700) 30.9 (786) 33.3 (847)	
	27	Length to Face of Forks	Chassis Length			in (mm)		79.4 (2016) 82 (2082) 84.3 (2143)	
	28	Wheelbase				in (mm)		48.4 (1230) 51.8 (1316) 54.2 (1377)	
	29	Right Angle Stack				in (mm)		131.7 (3344) 135.2 (3434) 137.5 (3493)	
	30	Equal Aisle	90° Intersecting Aisle		in (mm)		71.7 (1822) 72.3 (1836) 73.1 (1858)		
	31	Outside Turning Radius				in (mm)		68.3 (1735) 71.9 (1825) 74.2 (1884)	
	<b>WT.</b>	32	Truck Weight	Without Battery	NL	lb (kg)		6620 (3003) 6240 (2830) 6280 (2849)	
		33	Axle Loading - Drive	Static w/ Max. Wt. Battery	NL/RL	lb (kg)		3945/12102 (1789/5489) 4189/12107 (1900/5492) 4386/12152 (1989/5512)	
		34	Axle Loading - Steer	Static w/ Max. Wt. Battery	NL/RL	lb (kg)		5968/2311 (2707/1048) 5556/2138 (2520/970) 5796/2529 (2629/1147)	
<b>PERFORMANCE</b>					Standard Performance		Premium Performance Package		
					VOLTS		36 48 48 80		
	36	Travel Speed	Extended Shift OFF	NL/RL	mph (km/h)	10.9/9.9 (17.6/15.9)	11.3/11.3 (18.2/18.2)	12.3/12.8 (19.8/20.6)	12.3/12.5 (19.8/20.1)
			Extended Shift ON	NL/RL	mph (km/h)	9.8/8.8 (15.8/14.2)	10.7/9.9 (17.2/15.9)	12.2/12.4 (19.7/19.9)	12.2/12.3 (19.7/19.8)
	37	Lift Speed	Std 2 Stg LFL Mast	NL/RL	ft/min (m/sec)	100/59 (0.51/0.3)	124/79 (0.63/0.4)	142/102 (0.72/0.52)	142/102 (0.72/0.52)
			Opt 2 Stg FFL Mast	NL/RL	ft/min (m/sec)	93/59 (0.47/0.3)	124/81 (0.63/0.41)	130/98 (0.66/0.5)	130/98 (0.66/0.5)
			Opt 3 Stg FFL Mast	NL/RL	ft/min (m/sec)	94/59 (0.48/0.3)	124/79 (0.63/0.4)	134/100 (0.68/0.51)	134/100 (0.68/0.51)
			Opt 4 Stg FFL Mast	NL/RL	ft/min (m/sec)	96/59 (0.49/0.3)	0.67/79 (0.63/0.4)	136/100 (0.69/0.51)	136/100 (0.69/0.51)
	38	Lower Speed	Std 2 Stg LFL Mast	NL/RL	ft/min (m/sec)	100/112 (0.51/0.57)			
			Opt 2 Stg FFL Mast	NL/RL	ft/min (m/sec)	91/102 (0.46/0.52)			
			Opt 3 Stg FFL Mast	NL/RL	ft/min (m/sec)	93/106 (0.47/0.54)			
			Opt 4 Stg FFL Mast	NL/RL	ft/min (m/sec)	77/89 (0.39/0.45)			
39	Gradeability	5 Minute Rating	NL/RL	%	39/23	40/25	39/27	39/34	
		60 Minute Rating	NL/RL	%	14/8	15/9	25/16	32/20	
40	Drawbar Pull	5 Minute Rating	NL/RL	lbf	3373/3202	3486/3306	3773/3946	3773/4968	
		60 Minute Rating	NL/RL	lbf	1317/1178	1402/1262	2545/2375	3208/3026	
41	Brake	Method of Control	Service/Parking		Hydraulic/Mechanical				
		Method of Operation	Service/Parking		Foot/Foot				
<b>ELECTRIC</b>	42	Battery		Type		Lead Acid			
					Standard Performance		Premium Performance Package		
					VOLTS		36 48 48 80		
	43	Traction Motor		60 Minute Rating	hp (kW)	24.7 (18.4)	24.7 (18.4)	31.6 (23.6)	31.6 (23.6)
	44	Pump Motor		15% Rating	hp (kW)	16.6 (12.4)	22.4 (16.7)	31.8 (23.7)	32.2 (24)
	45	Traction Motor		Type/Control Method		AC/Transistor			
46	Pump Motor		Type/Control Method		AC/Transistor				
47	Number of Speeds		Traction/Pump		Infinitely Variable/Infinitely Variable				
<b>OTHER</b>	48	Step Height		in (mm)		18.7 (475)			
	49	Floor Height		Lowest Point		in (mm)		30.4 (772)	
	50	Attachment Relief Pressure				psi (bar)		2250 (155)	
	51	Auxiliary Oil Flow		3rd and 4th Function		gal/min (l/min)		11 (40)	
	52	Sound Level		Measured per ANSI B56.11.5		dB (A)		60 60 65 65	

Above specifications, unless otherwise listed, are for a standard truck without optional equipment.  
Right Angle Stack and Equal Intersecting Aisle dimensions provided with a 48" long and 40" wide pallet load, allowing zero clearance.

<b>GENERAL</b>	1	Manufacturer		Yale				
	2	Model Designation		ERC050VG				
	3	Power		Electric				
	4	Operation		Sit				
	5	Rated Capacity		lb (kg)	5000 (2268)			
	6	Load Center		in (mm)	24 (610)			
<b>TIRES</b>	7	Tire Type - Cushion, Solid, Pneumatic, etc.		Drive/Steer		Cushion / Cushion		
	8	Tire Size		Drive/Steer		in		
	9	Wheels - Number	X=Driven	Drive/Steer		2X / 2		
	10	Tread	ø Tires	Std Dr/Wide Dr/Steer	in (mm)		35.1/41.9/37 (892/1064/940)	
	11	Mast Tilt		Std Opt Opt		degrees		
	12	Mast - Lowered Height		Std Mast		in (mm)		
<b>DIMENSIONS</b>	13	Free Lift - Top of Fork	Std 2 Stg Limited Free Lift Mast		in (mm)		5 (140)	
		Opt 2 Stg Full Free Lift Mast with/without LBR		in (mm)		33/60 (860/1525)		
	14	Lift Height - Top of Fork	Std 2 Stg Limited Free Lift Mast		in (mm)		125 (3192)	
	15	Mast - Extended Height		Std Mast with/without LBR		in (mm)		
	16	Overhead Guard Height		Std/Drive in Rack/Opt/Opt Flat Plate		in (mm)		
	17	SIP to Bottom Std OHG	Susp at Mid-Point	Std/Susp/Swivel		in (mm)		
	18	Tow Pin Height	Vertical Center of Pin		in (mm)		11 (280)	
	19	Overall Width		Standard Tread/Wide Tread		in (mm)		
	20	Forks		Thickness x Width x Length		in (mm)		
	21	Standard Carriage Width		Class II		in (mm)		
	22	Floor to Top of Battery Rollers				in (mm)		
	23	Ground Clearance	Lowest Point	NL/RL		in (mm)		
	24	Ground Clearance	Center of Truck	NL/RL		in (mm)		
	25	Load Distance		Center of Wheel to Face of Forks		in (mm)		
	26	Battery Compartment	Height	Without/With Battery Rollers		in (mm)		
			Width			in (mm)		
				Nominal		SIZE		
						27"		
						30"		
						33"		
			Length	Actual		in (mm)		
	27	Length to Face of Forks	Chassis Length			in (mm)		
	28	Wheelbase				in (mm)		
	29	Right Angle Stack				in (mm)		
	30	Equal Aisle	90° Intersecting Aisle		in (mm)			
	31	Outside Turning Radius				in (mm)		
32	Truck Weight	Without Battery	NL		lb (kg)			
33	Axle Loading - Drive	Static w/ Max. Wt. Battery	NL/RL		lb (kg)			
34	Axle Loading - Steer	Static w/ Max. Wt. Battery	NL/RL		lb (kg)			
<b>WT.</b>					Standard Performance		Premium Performance Package	
					VOLTS			
					36		48	
	36	Travel Speed	Extended Shift OFF	NL/RL	mph (km/h)		10.7/9.6 (17.3/15.4)	
			Extended Shift ON	NL/RL	mph (km/h)		11.3/11.3 (18.2/18.2)	
	37	Lift Speed	Std 2 Stg LFL Mast	NL/RL	ft/min (m/sec)		12.2/12.4 (19.7/19.9)	
			Opt 2 Stg FFL Mast	NL/RL	ft/min (m/sec)		124/75 (0.63/0.38)	
			Opt 3 Stg FFL Mast	NL/RL	ft/min (m/sec)		142/96 (0.72/0.49)	
			Opt 4 Stg FFL Mast	NL/RL	ft/min (m/sec)		130/93 (0.66/0.47)	
	38	Lower Speed	Std 2 Stg LFL Mast	NL/RL	ft/min (m/sec)		93/57 (0.47/0.29)	
			Opt 2 Stg FFL Mast	NL/RL	ft/min (m/sec)		124/77 (0.63/0.39)	
			Opt 3 Stg FFL Mast	NL/RL	ft/min (m/sec)		134/94 (0.68/0.48)	
			Opt 4 Stg FFL Mast	NL/RL	ft/min (m/sec)		136/94 (0.69/0.48)	
	39	Gradeability	5 Minute Rating	NL/RL	%		35/20	
	60 Minute Rating		NL/RL	%		36/21		
40	Drawbar Pull	5 Minute Rating	NL/RL	lbf		36/21		
		60 Minute Rating	NL/RL	lbf		39/25		
41	Brake	Method of Control	Service/Parking		Hydraulic / Mechanical			
		Method of Operation	Service/Parking		Foot / Foot			
<b>ELECTRIC</b>	42	Battery		Type		Lead Acid		
					Standard Performance		Premium Performance Package	
					VOLTS			
					36		48	
	43	Traction Motor	60 Minute Rating		hp (kW)		48	
			15% Rating		hp (kW)		80	
	44	Pump Motor			hp (kW)		48	
	45	Traction Motor	Type/Control Method		AC / Transistor			
46	Pump Motor	Type/Control Method		AC / Transistor				
47	Number of Speeds		Traction/Pump		Infinitely Variable / Infinitely Variable			
<b>OTHER</b>	48	Step Height		in (mm)		18.7 (475)		
	49	Floor Height		Lowest Point		in (mm)		
	50	Attachment Relief Pressure				psi (bar)		
	51	Auxiliary Oil Flow		3rd and 4th Function		gal/min (l/min)		
	52	Sound Level		Measured per ANSI B56.11.5		dB (A)		

Above specifications, unless otherwise listed, are for a standard truck without optional equipment.  
Right Angle Stack and Equal Intersecting Aisle dimensions provided with a 48" long and 40" wide pallet load, allowing zero clearance.

<b>GENERAL</b>	1	Manufacturer			Yale				
	2	Model Designation			ERC055VG				
	3	Power			Electric				
	4	Operation			Sit				
<b>TIRES</b>	5	Rated Capacity		lb (kg)	5500 (2495)				
	6	Load Center		in (mm)	24 (610)				
<b>DIMENSIONS</b>	7	Tire Type - Cushion, Solid, Pneumatic, etc.		Drive/Steer	Cushion / Cushion				
	8	Tire Size		Drive/Steer	in	21 x 7 x 15 / 16 x 5 x 10.5			
	9	Wheels - Number	X=Driven	Drive/Steer	2X / 2				
	10	Tread	ø Tires	Std Dr/Wide Dr/Steer	in (mm)	35.1/41.9/37 (892/1064/940)			
	11	Mast Tilt		Std Opt Opt	degrees	5F/5B 10F/5B (5F/4B)			
	12	Mast - Lowered Height		Std Mast	in (mm)	83 (2085)			
	13	Free Lift - Top of Fork	Std 2 Stg Limited Free Lift Mast		in (mm)	5 (140)			
		Opt 2 Stg Full Free Lift Mast with/without LBR			in (mm)	33/60 (860/1525)			
	14	Lift Height - Top of Fork	Std 2 Stg Limited Free Lift Mast		in (mm)	125 (3192)			
	15	Mast - Extended Height		Std Mast with/without LBR	in (mm)	174/148 (4415/3740)			
16	Overhead Guard Height		Std/Drive in Rack/Opt/Opt Flat Plate	in (mm)	88.5/88.5/86.5/84.1 (2248/2248/2197/2137)				
17	SIP to Bottom Std OHG	Susp at Mid-Point	Std/Susp/Swivel	in (mm)	38.3/37.4/37.3 (975/950/948)				
18	Tow Pin Height	Vertical Center of Pin		in (mm)	11 (280)				
19	Overall Width		Standard Tread/Wide Tread	in (mm)	42.1/48.9 (1070/1242)				
20	Forks		Thickness x Width x Length	in (mm)	1.6 x 3.9 x 42 (40 x 100 x 1067)				
21	Standard Carriage Width		Class II	in (mm)	38.5 (977)				
22	Floor to Top of Battery Rollers			in (mm)	17.2 (436)				
23	Ground Clearance	Lowest Point	NL/RL	in (mm)	3.6/3.3 (91/85)				
24	Ground Clearance	Center of Truck	NL/RL	in (mm)	3.9/3.6 (98/92)				
25	Load Distance		Center of Wheel to Face of Forks	in (mm)	15.4 (390)				
26	Battery Compartment	Height	Without/With Battery Rollers	in (mm)	23.9/23.3 (607/593)				
		Width		in (mm)	39.1 (992)				
			Nominal	SIZE	33"				
			Actual	in (mm)	33.3 (847)				
27	Length to Face of Forks	Chassis Length		in (mm)	85.1 (2163)				
28	Wheelbase			in (mm)	54.2 (1377)				
29	Right Angle Stack			in (mm)	137.9 (3502)				
30	Equal Aisle	90° Intersecting Aisle		in (mm)	73.8 (1874)				
31	Outside Turning Radius			in (mm)	74.5 (1893)				
<b>WT.</b>	32	Truck Weight	Without Battery	NL	lb (kg)	6710 (3044)			
	33	Axle Loading - Drive	Static w/ Max. Wt. Battery	NL/RL	lb (kg)	4313/13806 (1956/6262)			
	34	Axle Loading - Steer	Static w/ Max. Wt. Battery	NL/RL	lb (kg)	6289/2297 (2853/1042)			
<b>PERFORMANCE</b>					Standard Performance		PowerPlus Performance		
				VOLTS	36	48	48	80	
	36	Travel Speed	Extended Shift OFF	NL/RL	mph (km/h)	10.7/9.4 (17.3/15.1)	11.3/11.3 (18.2/18.2)	12.3/12.8 (19.8/20.6)	12.3/12.5 (19.8/20.1)
			Extended Shift ON	NL/RL	mph (km/h)	9.6/8.5 (15.5/13.7)	10.5/9.6 (16.9/15.5)	12.2/12.4 (19.7/19.9)	12.2/12.2 (19.7/19.7)
	37	Lift Speed	Std 2 Stg LFL Mast	NL/RL	ft/min (m/sec)	100/53 (0.51/0.27)	124/71 (0.63/0.36)	142/93 (0.72/0.47)	142/93 (0.72/0.47)
			Opt 2 Stg FFL Mast	NL/RL	ft/min (m/sec)	93/57 (0.47/0.29)	124/75 (0.63/0.38)	130/89 (0.66/0.45)	130/89 (0.66/0.45)
			Opt 3 Stg FFL Mast	NL/RL	ft/min (m/sec)	94/55 (0.48/0.28)	124/73 (0.63/0.37)	134/91 (0.68/0.46)	134/91 (0.68/0.46)
			Opt 4 Stg FFL Mast	NL/RL	ft/min (m/sec)	96/57 (0.49/0.29)	124/75 (0.63/0.38)	136/94 (0.69/0.48)	136/94 (0.69/0.48)
	38	Lower Speed	Std 2 Stg LFL Mast	NL/RL	ft/min (m/sec)	100/114 (0.51/0.58)			
			Opt 2 Stg FFL Mast	NL/RL	ft/min (m/sec)	91/108 (0.46/0.55)			
	Opt 3 Stg FFL Mast		NL/RL	ft/min (m/sec)	93/110 (0.47/0.56)				
	Opt 4 Stg FFL Mast		NL/RL	ft/min (m/sec)	77/91 (0.39/0.46)				
39	Gradeability	5 Minute Rating	NL/RL	%	34/19	34/20	36/24	36/30	
		60 Minute Rating	NL/RL	%	12/7	13/8	24/14	31/18	
40	Drawbar Pull	5 Minute Rating	NL/RL	lbf	3350/3139	3456/3243	3715/3868	3715/4881	
		60 Minute Rating	NL/RL	lbf	1287/1111	1373/1198	2535/2310	3198/2956	
41	Brake	Method of Control	Service/Parking	Hydraulic / Mechanical					
		Method of Operation	Service/Parking	Foot / Foot					
<b>ELECTRIC</b>	42	Battery		Type	Lead Acid				
				VOLTS	Standard Performance		PowerPlus Performance		
					36	48	48	80	
	43	Traction Motor		60 Minute Rating	hp (kW)	24.7 (18.4)	24.7 (18.4)	31.6 (23.6)	31.6 (23.6)
	44	Pump Motor		15% Rating	hp (kW)	16.6 (12.4)	22.4 (16.7)	31.8 (23.7)	32.2 (24)
45	Traction Motor		Type/Control Method	AC / Transistor					
46	Pump Motor		Type/Control Method	AC / Transistor					
47	Number of Speeds		Traction/Pump	Infinitely Variable / Infinitely Variable					
<b>OTHER</b>	48	Step Height		in (mm)	18.7 (475)				
	49	Floor Height		Lowest Point	in (mm)	30.4 (772)			
	50	Attachment Relief Pressure			psi (bar)	2250 (155)			
	51	Auxiliary Oil Flow		3rd and 4th Function	gal/min (l/min)	11 (40)			
	52	Sound Level		Measured per ANSI B56.11.5	dB (A)	60	60	65	65

Above specifications, unless otherwise listed, are for a standard truck without optional equipment.

Right Angle Stack and Equal Intersecting Aisle dimensions provided with a 48" long and 40" wide pallet load, allowing zero clearance.



GENERAL	1	Manufacturer				Yale			
	2	Model Designation				ERC060VG			
	3	Power				Electric			
	4	Operation				Sit			
	5	Rated Capacity		lb (kg)			6000 (2722)		
	6	Load Center		in (mm)			24 (610)		
TIRES	7	Tire Type - Cushion, Solid, Pneumatic, etc.		Drive/Steer		Cushion / Cushion			
	8	Tire Size		Drive/Steer		in			
	9	Wheels - Number	X=Driven	Drive/Steer		2X / 2			
DIMENSIONS	10	Tread	ø Tires	Std Dr/Wide Dr/Steer	in (mm)		35.6/40.9/36 (905/1039/915)		
	11	Mast Tilt		Std Opt Opt		degrees			
	12	Mast - Lowered Height		Std Mast		in (mm)			
	13	Free Lift - Top of Fork	Std 2 Stg Limited Free Lift Mast		in (mm)		5 (140)		
		Opt 2 Stg Full Free Lift Mast with/without LBR				in (mm)		33/56 (855/1440)	
	14	Lift Height - Top of Fork	Std 2 Stg Limited Free Lift Mast		in (mm)		118 (3009)		
	15	Mast - Extended Height		Std Mast with/without LBR		in (mm)		167/144 (4235/3655)	
	16	Overhead Guard Height		Std/Drive in Rack/Opt/Opt Flat Plate		in (mm)		88.5/88.5/86.5/84.1 (2248/2248/2197/2137)	
	17	SIP to Bottom Std OHG	Susp at Mid-Point	Std/Susp/Swivel		in (mm)		38.3/37.4/37.3 (975/950/948)	
	18	Tow Pin Height		Vertical Center of Pin		in (mm)		11 (280)	
	19	Overall Width		Standard Tread/Wide Tread		in (mm)		43.6/48.9 (1108/1242)	
	20	Forks		Thickness x Width x Length		in (mm)		2 x 4.9 x 42 (50 x 125 x 1067)	
	21	Standard Carriage Width		Class II		in (mm)		38.5 (977)	
	22	Floor to Top of Battery Rollers				in (mm)		17.2 (436)	
	23	Ground Clearance	Lowest Point		NL/RL		in (mm)		
	24	Ground Clearance	Center of Truck		NL/RL		in (mm)		
	25	Load Distance		Center of Wheel to Face of Forks		in (mm)		15.8 (402)	
	26	Battery Compartment	Height		Without/With Battery Rollers		in (mm)		
			Width				in (mm)		
					Nominal		SIZE		
					Actual		in (mm)		
	27	Length to Face of Forks	Chassis Length		in (mm)		86.5 (2199)		
	28	Wheelbase				in (mm)		54.2 (1377)	
	29	Right Angle Stack				in (mm)		139.2 (3536)	
30	Equal Aisle	90° Intersecting Aisle		in (mm)		74.2 (1885)			
31	Outside Turning Radius				in (mm)		75.4 (1915)		
WT.	32	Truck Weight	Without Battery		NL	lb (kg)			
	33	Axle Loading - Drive	Static w/ Max. Wt. Battery		NL/RL	lb (kg)			
	34	Axle Loading - Steer	Static w/ Max. Wt. Battery		NL/RL	lb (kg)			
PERFORMANCE					Standard Performance		PowerPlus Performance		
					VOLTS				
	36	Travel Speed	Extended Shift OFF	NL/RL	mph (km/h)	10.6/9.1 (17/14.6)	11.3/11.3 (18.2/18.2)	12.3/12.8 (19.8/20.6)	12.3/12.5 (19.8/20.1)
			Extended Shift ON	NL/RL	mph (km/h)	9.5/8.3 (15.3/13.3)	10.4/9.4 (16.7/15.1)	12.2/12.2 (19.7/19.7)	12.2/12.1 (19.7/19.4)
	37	Lift Speed	Std 2 Stg LFL Mast	NL/RL	ft/min (m/sec)	93/49 (0.47/0.25)	116/65 (0.59/0.33)	124/83 (0.63/0.42)	124/83 (0.63/0.42)
			Opt 2 Stg FFL Mast	NL/RL	ft/min (m/sec)	83/49 (0.42/0.25)	108/65 (0.55/0.33)	116/81 (0.59/0.41)	116/81 (0.59/0.41)
			Opt 3 Stg FFL Mast	NL/RL	ft/min (m/sec)	85/49 (0.43/0.25)	112/65 (0.57/0.33)	118/81 (0.6/0.41)	118/81 (0.6/0.41)
			Opt 4 Stg FFL Mast	NL/RL	ft/min (m/sec)	96/57 (0.49/0.29)	124/75 (0.63/0.38)	136/94 (0.69/0.48)	136/94 (0.69/0.48)
	38	Lower Speed	Std 2 Stg LFL Mast	NL/RL	ft/min (m/sec)	91/110 (0.46/0.56)			
			Opt 2 Stg FFL Mast	NL/RL	ft/min (m/sec)	73/102 (0.37/0.52)			
			Opt 3 Stg FFL Mast	NL/RL	ft/min (m/sec)	79/104 (0.4/0.53)			
			Opt 4 Stg FFL Mast	NL/RL	ft/min (m/sec)	77/91 (0.39/0.46)			
39	Gradeability	5 Minute Rating	NL/RL	%	32/19	33/19	36/22	36/28	
		60 Minute Rating	NL/RL	%	12/7	13/7	22/13	29/16	
40	Drawbar Pull	5 Minute Rating	NL/RL	lbf	3342/3124	3448/3229	3883/3820	3883/4830	
		60 Minute Rating	NL/RL	lbf	1280/1094	1365/1184	2518/2269	3181/2912	
41	Brake	Method of Control		Service/Parking		Hydraulic / Mechanical			
		Method of Operation		Service/Parking		Foot / Foot			
ELECTRIC	42	Battery		Type		Lead Acid			
					Standard Performance		PowerPlus Performance		
					VOLTS				
	43	Traction Motor		60 Minute Rating		hp (kW)	36	48	80
	44	Pump Motor		15% Rating		hp (kW)	24.7 (18.4)	24.7 (18.4)	31.6 (23.6)
	45	Traction Motor		Type/Control Method		hp (kW)	16.6 (12.4)	22.4 (16.7)	31.8 (23.7)
46	Pump Motor		Type/Control Method			AC / Transistor			
47	Number of Speeds		Traction/Pump			Infinitely Variable / Infinitely Variable			
OTHER	48	Step Height		in (mm)		18.7 (475)			
	49	Floor Height		Lowest Point		in (mm)		30.4 (772)	
	50	Attachment Relief Pressure				psi (bar)		2250 (155)	
	51	Auxiliary Oil Flow		3rd and 4th Function		gal/min (l/min)		11 (40)	
	52	Sound Level		Measured per ANSI B56.11.5		dB (A)		60	
					60	60	65	65	

Above specifications, unless otherwise listed, are for a standard truck without optional equipment.

Right Angle Stack and Equal Intersecting Aisle dimensions provided with a 48" long and 40" wide pallet load, allowing zero clearance.

<b>GENERAL</b>	1	Manufacturer		Yale			
	2	Model Designation		ERC065VG			
	3	Power		Electric			
	4	Operation		Sit			
	5	Rated Capacity		lb (kg)	6500 (2948)		
	6	Load Center		in (mm)	24 (610)		
<b>TIRES</b>	7	Tire Type - Cushion, Solid, Pneumatic, etc.		Drive/Steer		Cushion / Cushion	
	8	Tire Size		Drive/Steer	in		
	9	Wheels - Number	X=Driven	Drive/Steer		2X / 2	
	10	Tread	ø Tires	Std Dr/Wide Dr/Steer	in (mm)		
	11	Mast Tilt		Std Opt Opt	degrees		
	12	Mast - Lowered Height		Std Mast	in (mm)		
<b>DIMENSIONS</b>	13	Free Lift - Top of Fork	Std 2 Stg Limited Free Lift Mast		in (mm)		
		Opt 2 Stg Full Free Lift Mast with/without LBR		in (mm)			
	14	Lift Height - Top of Fork	Std 2 Stg Limited Free Lift Mast		in (mm)		
	15	Mast - Extended Height		Std Mast with/without LBR		in (mm)	
	16	Overhead Guard Height		Std/Drive in Rack/Opt/Opt Flat Plate		in (mm)	
	17	SIP to Bottom Std OHG	Susp at Mid-Point	Std/Susp/Swivel		in (mm)	
	18	Tow Pin Height		Vertical Center of Pin		in (mm)	
	19	Overall Width		Standard Tread/Wide Tread		in (mm)	
	20	Forks		Thickness x Width x Length		in (mm)	
	21	Standard Carriage Width		Class II		in (mm)	
	22	Floor to Top of Battery Rollers				in (mm)	
	23	Ground Clearance	Lowest Point	NL/RL		in (mm)	
	24	Ground Clearance	Center of Truck	NL/RL		in (mm)	
	25	Load Distance		Center of Wheel to Face of Forks		in (mm)	
	26	Battery Compartment	Height	Without/With Battery Rollers		in (mm)	
			Width			in (mm)	
				Nominal		SIZE	
						36"	
						40"	
				Length	Actual	in (mm)	
	27	Length to Face of Forks	Chassis Length		in (mm)		
	28	Wheelbase				in (mm)	
	29	Right Angle Stack				in (mm)	
	30	Equal Aisle	90° Intersecting Aisle		in (mm)		
	31	Outside Turning Radius				in (mm)	
	32	Truck Weight	Without Battery	NL	lb (kg)		
33	Axle Loading - Drive	Static w/ Max. Wt. Battery	NL/RL	lb (kg)			
34	Axle Loading - Steer	Static w/ Max. Wt. Battery	NL/RL	lb (kg)			
<b>WT.</b>				Standard Performance		PowerPlus Performance	
				VOLTS			
				36		48	
	36	Travel Speed	Extended Shift OFF	NL/RL	mph (km/h)		
			Extended Shift ON	NL/RL	mph (km/h)		
	37	Lift Speed	Std 2 Stg LFL Mast	NL/RL	ft/min (m/sec)		
			Opt 2 Stg FFL Mast	NL/RL	ft/min (m/sec)		
			Opt 3 Stg FFL Mast	NL/RL	ft/min (m/sec)		
			Opt 4 Stg FFL Mast	NL/RL	ft/min (m/sec)		
	38	Lower Speed	Std 2 Stg LFL Mast	NL/RL	ft/min (m/sec)		
			Opt 2 Stg FFL Mast	NL/RL	ft/min (m/sec)		
			Opt 3 Stg FFL Mast	NL/RL	ft/min (m/sec)		
			Opt 4 Stg FFL Mast	NL/RL	ft/min (m/sec)		
	39	Gradeability	5 Minute Rating	NL/RL	%		
	60 Minute Rating		NL/RL	%			
40	Drawbar Pull	5 Minute Rating	NL/RL	lbf			
		60 Minute Rating	NL/RL	lbf			
41	Brake	Method of Control	Service/Parking				
		Method of Operation	Service/Parking				
<b>PERFORMANCE</b>	42	Battery		Type		Lead Acid	
				Standard Performance		PowerPlus Performance	
				VOLTS			
				36		48	
	43	Traction Motor	60 Minute Rating		hp (kW)		
			15% Rating		hp (kW)		
	44	Pump Motor		Type/Control Method		AC / Transistor	
	45	Traction Motor		Type/Control Method		AC / Transistor	
46	Pump Motor		Type/Control Method		AC / Transistor		
47	Number of Speeds		Traction/Pump		Infinitely Variable / Infinitely Variable		
<b>OTHER</b>	48	Step Height		in (mm)		18.7 (475)	
	49	Floor Height		Lowest Point		in (mm)	
	50	Attachment Relief Pressure				psi (bar)	
	51	Auxiliary Oil Flow		3rd and 4th Function		gal/min (l/min)	
	52	Sound Level		Measured per ANSI B56.11.5		dB (A)	

Above specifications, unless otherwise listed, are for a standard truck without optional equipment.  
Right Angle Stack and Equal Intersecting Aisle dimensions provided with a 48" long and 40" wide pallet load, allowing zero clearance.

<b>GENERAL</b>	1	Manufacturer		Yale					
	2	Model Designation		ERC070VG					
	3	Power		Electric					
	4	Operation		Sit					
	5	Rated Capacity		lb (kg)	7000 (3175)				
	6	Load Center		in (mm)	24 (610)				
<b>TIRES</b>	7	Tire Type - Cushion, Solid, Pneumatic, etc.		Drive/Steer	Cushion / Cushion				
	8	Tire Size		Drive/Steer	in 21 x 9 x 15 / 16 x 7 x 10.5				
	9	Wheels - Number	X=Driven	Drive/Steer	2X / 2				
	10	Tread	ø Tires	Std Dr/Wide Dr/Steer	in (mm)	36.6/39.9/37 (929/1013/940)			
	11	Mast Tilt		Std Opt Opt	degrees	5F/5B 10F/5B (5F/4B)			
	12	Mast - Lowered Height		Std Mast	in (mm)	83 (2085)			
<b>DIMENSIONS</b>	13	Free Lift - Top of Fork	Std 2 Stg Limited Free Lift Mast		in (mm)	5 (140)			
		Opt 2 Stg Full Free Lift Mast with/without LBR			in (mm)	33/56 (855/1440)			
	14	Life Height - Top of Fork	Std 2 Stg Limited Free Lift Mast		in (mm)	118 (3009)			
	15	Mast - Extended Height		Std Mast with/without LBR		in (mm)	167/144 (4235/3655)		
	16	Overhead Guard Height		Std/Drive in Rack/Opt/Opt Flat Plate		in (mm)	88.5/88.5/86.5/84.1 (2248/2248/2197/2137)		
	17	SIP to Bottom Std OHG	Susp at Mid-Point	Std/Susp/Swivel	in (mm)	38.3/37.4/37.3 (975/950/948)			
	18	Tow Pin Height	Vertical Center of Pin		in (mm)	11 (280)			
	19	Overall Width	Standard Tread/Wide Tread		in (mm)	45.6/48.9 (1158/1242)			
	20	Forks	Thickness x Width x Length		in (mm)	2 x 4.9 x 42 (50 x 125 x 1067)			
	21	Standard Carriage Width	Class II		in (mm)	38.5 (977)			
	22	Floor to Top of Battery Rollers			in (mm)	17.2 (436)			
	23	Ground Clearance	Lowest Point	NL/RL	in (mm)	3.6/3.3 (91/85)			
	24	Ground Clearance	Center of Truck	NL/RL	in (mm)	3.7/3.6 (94/92)			
	25	Load Distance	Center of Wheel to Face of Forks		in (mm)	15.8 (402)			
	26	Battery Compartment	Height	Without/With Battery Rollers	in (mm)	23.9/23.3 (607/593)			
			Width		in (mm)	39.1 (992)			
				Nominal	SIZE	40"			
				Actual	in (mm)	40 (1015)			
	27	Length to Face of Forks	Chassis Length		in (mm)	93.1 (2367)			
	28	Wheelbase			in (mm)	60.8 (1545)			
	29	Right Angle Stack			in (mm)	146.3 (3715)			
	30	Equal Aisle	90° Intersecting Aisle		in (mm)	77.4 (1965)			
	31	Outside Turning Radius			in (mm)	82.4 (2094)			
	<b>WT.</b>	32	Truck Weight	Without Battery	NL	lb (kg)	7500 (3402)		
		33	Axle Loading - Drive	Static w/ Max. Wt. Battery	NL/RL	lb (kg)	4868/16451 (2208/7462)		
		34	Axle Loading - Steer	Static w/ Max. Wt. Battery	NL/RL	lb (kg)	7022/2439 (3185/1106)		
<b>PERFORMANCE</b>					Standard Performance		Premium Performance Package		
				VOLTS	36	48	48	80	
	36	Travel Speed	Extended Shift OFF	NL/RL	mph (km/h)	10.6/9 (17/14.5)	11.3/11.3 (18.2/18.2)	12.3/12.6 (19.8/20.3)	12.3/12.3 (19.8/19.8)
			Extended Shift ON	NL/RL	mph (km/h)	9.4/8.1 (15.2/13.1)	10.3/9.3 (16.6/14.9)	12.2/12.1 (19.7/19.4)	12.2/11.9 (19.7/19.1)
	37	Lift Speed	Std 2 Stg LFL Mast	NL/RL	ft/min (m/sec)	93/45 (0.47/0.23)	116/61 (0.59/0.31)	124/73 (0.63/0.37)	124/73 (0.63/0.37)
			Opt 2 Stg FFL Mast	NL/RL	ft/min (m/sec)	83/45 (0.42/0.23)	108/61 (0.55/0.31)	116/73 (0.59/0.37)	116/73 (0.59/0.37)
			Opt 3 Stg FFL Mast	NL/RL	ft/min (m/sec)	85/45 (0.43/0.23)	112/61 (0.57/0.31)	118/73 (0.6/0.37)	118/73 (0.6/0.37)
			Opt 4 Stg FFL Mast	NL/RL	ft/min (m/sec)	96/57 (0.49/0.29)	124/75 (0.63/0.38)	136/94 (0.69/0.48)	136/94 (0.69/0.48)
	38	Lower Speed	Std 2 Stg LFL Mast	NL/RL	ft/min (m/sec)	91/114 (0.46/0.58)			
			Opt 2 Stg FFL Mast	NL/RL	ft/min (m/sec)	73/106 (0.37/0.54)			
			Opt 3 Stg FFL Mast	NL/RL	ft/min (m/sec)	79/0.5 (0.4/0.56)			
			Opt 4 Stg FFL Mast	NL/RL	ft/min (m/sec)	77/91 (0.39/0.46)			
	39	Gradeability	5 Minute Rating	NL/RL	%	29/17	29/18	36/19	37/25
	60 Minute Rating		NL/RL	%	10/6	11/6	21/11	27/14	
40	Drawbar Pull	5 Minute Rating	NL/RL	lbf	3329/3089	3428/3201	4101/3744	4193/4745	
		60 Minute Rating	NL/RL	lbf	1269/1072	1355/1149	2502/2204	3165/2842	
41	Brake	Method of Control	Service/Parking	Hydraulic / Mechanical					
		Method of Operation	Service/Parking	Foot / Foot					
<b>ELECTRIC</b>	42	Battery	Type		Lead Acid				
					Standard Performance		Premium Performance Package		
				VOLTS	36	48	48	80	
	43	Traction Motor	60 Minute Rating	hp (kW)	24.7 (18.4)	24.7 (18.4)	31.6 (23.6)	31.6 (23.6)	
	44	Pump Motor	15% Rating	hp (kW)	16.6 (12.4)	22.4 (16.7)	31.8 (23.7)	32.2 (24)	
	45	Traction Motor	Type/Control Method		AC / Transistor				
46	Pump Motor	Type/Control Method		AC / Transistor					
47	Number of Speeds	Traction/Pump		Infinitely Variable / Infinitely Variable					
<b>OTHER</b>	48	Step Height		in (mm)	18.7 (475)				
	49	Floor Height		Lowest Point	in (mm)	30.4 (772)			
	50	Attachment Relief Pressure		psi (bar)	2250 (155)				
	51	Auxiliary Oil Flow		3rd and 4th Function	gal/min (l/min)	11 (40)			
	52	Sound Level	Measured per ANSI B56.11.5		dB (A)	60	60	65	

Above specifications, unless otherwise listed, are for a standard truck without optional equipment.

Right Angle Stack and Equal Intersecting Aisle dimensions provided with a 48" long and 40" wide pallet load, allowing zero clearance.



Battery and Compartment Specifications											
Model	Compartment Dim			Battery Dim - Max			Volts	No. of Cells	Max Capacity 6 Hour Rate"	Weight	
	Width	Length	Height	"X"	"Y"	"Z"				Min	Max
	in (mm)								amp hr (kwh)	lb (kg)	
ERC045-050VG 27" Compartment	39.1 (992)	27.6 (700)	23.9 (607)	38.7 (983)	27.2 (691)	23.5 (597)	36	18	1100 (38.3)	2300 (1050)	3300 (1500)
							48	24	800 (37.2)		
							80	40	375 (29.3)		
ERC045-050VG 30" Compartment	39.1 (992)	30.9 (786)	23.9 (607)	38.7 (983)	30.6 (777)	23.5 (597)	36	18	1200 (41.9)	2500 (1150)	3500 (1600)
							48	24	900 (42)		
							80	40	400 (31.2)		
ERC045-060VG 33" Compartment	39.1 (992)	33.3 (847)	23.9 (607)	38.7 (983)	33 (838)	23.5 (597)	36	18	1300 (45.4)	2900 (1320)	3900 (1770)
							48	24	1000 (46.6)		
							80	40	450 (35.1)		
ERC065VG 36" Compartment	39.1 (992)	36.7 (933)	23.9 (607)	38.7 (983)	36.4 (924)	23.5 (597)	36	18	1500 (52.4)	3100 (1410)	4100 (1860)
							48	24	1100 (51.1)		
							80	40	600 (46.8)		
ERC065-070VG 40" Compartment	39.1 (992)	40 (1015)	23.9 (607)	38.7 (983)	39.6 (1006)	23.5 (597)	36	18	1600 (55.8)	3400 (1550)	4400 (2000)
							48	24	1200 (55.9)		
							80	40	600 (46.8)		

Battery Type: "EO" (Without Cover)

Battery amp hr (kwh) capacity is max allowable per UL

Commercially available lead acid batteries may not necessarily reach these max limits

Battery Roller option reduces battery compartment height to 23.3" (593mm) & max battery height to 23.0" (583mm)

Battery Compartment Length is measured front to rear. Battery Compartment Width is measured across the truck

**Battery Notes - Conventional Charging (Opt G26201)**

Battery Connector: 36 volt - Gray SB<sup>®</sup>350 (Anderson Power Products<sup>®</sup> P/N 6320G1 or equivalent)

48 volt - Blue SB<sup>®</sup>350 (Anderson Power Products<sup>®</sup> P/N 6321G1 or equivalent)

80 volt - Black SBE<sup>®</sup>320 (Anderson Power Products<sup>®</sup> P/N E6363G1 or equivalent)

Battery Lead: Length 20" (508 mm), Position "B", 2/0 AWG

**Battery Notes - Rapid/Fast Charging (Opt G26202)**

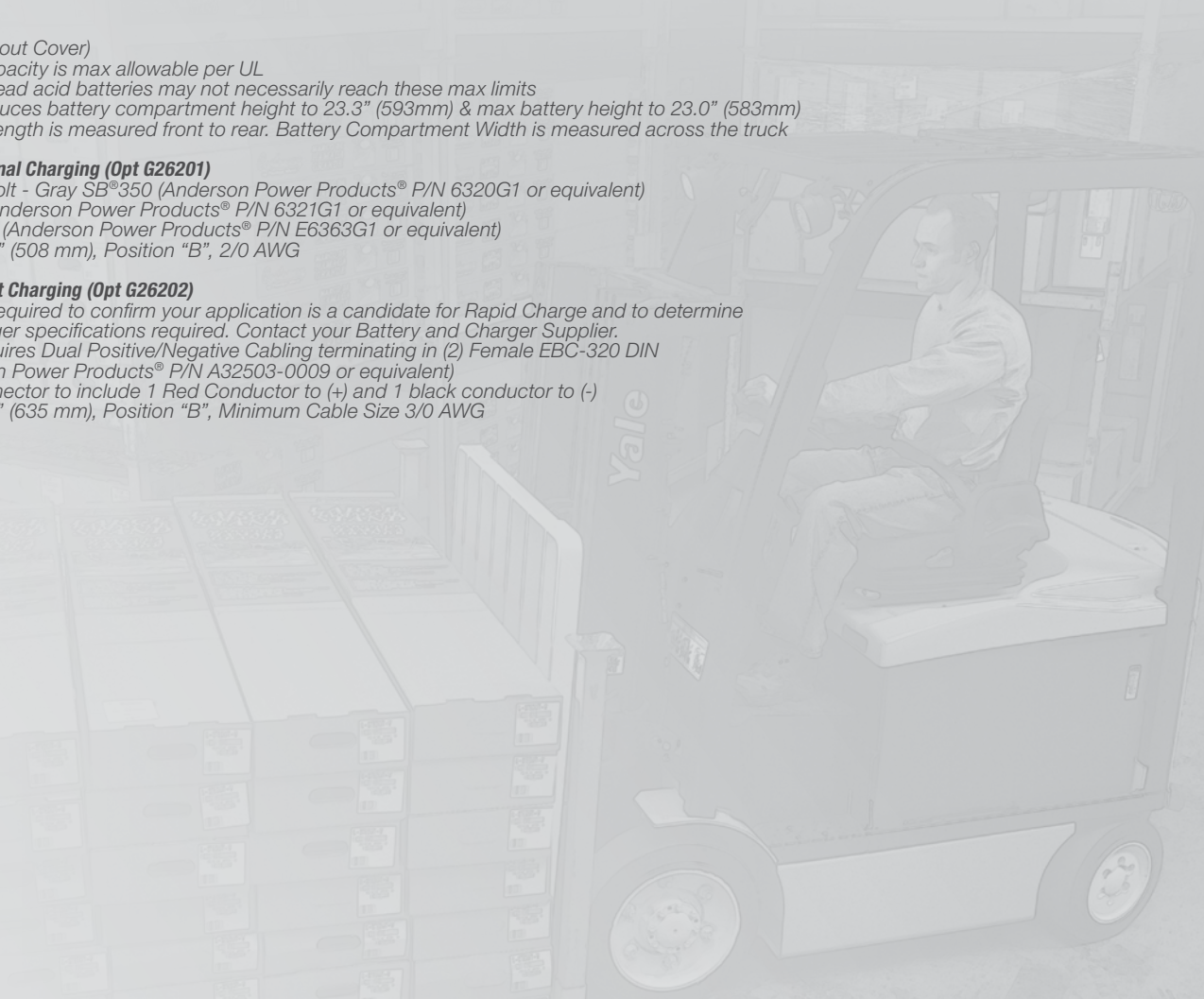
NOTE: A Site Survey is required to confirm your application is a candidate for Rapid Charge and to determine the Battery and Charger specifications required. Contact your Battery and Charger Supplier.

Battery Connector: Requires Dual Positive/Negative Cabling terminating in (2) Female EBC-320 DIN

Connectors (Anderson Power Products<sup>®</sup> P/N A32503-0009 or equivalent)

Each individual DIN connector to include 1 Red Conductor to (+) and 1 black conductor to (-)

Battery Lead: Length 25" (635 mm), Position "B", Minimum Cable Size 3/0 AWG



ERC045-055VG Mast Dimensions								
Maximum Fork Height (TOF)	Overall Lowered Height	Overall Extended Height		Free Lift (TOF)		Approx. Total Wt. of Standard Equipped Truck w/o Battery		
		w/ Load Backrest	w/o Load Backrest	w/ Load Backrest	w/o Load Backrest	ERC045VG	ERC050VG	ERC055VG
in (mm)	in (mm)	in (mm)	in (mm)	in (mm)	in (mm)	lbs (kg)	lbs (kg)	lbs (kg)
<b>2-stage limited free lift (LFL) Hi-Vis™<sub>2</sub> mast</b>								
125 (3192)	83 (2085)	174 (4415)	147 (3749)	5 (140)	5 (140)	6860 (3112)	7270 (3298)	6950 (3152)
133 (3392)	86 (2185)	182 (4615)	155 (3949)	5 (140)	5 (140)	7060 (3202)	7470 (3388)	7150 (3243)
137 (3492)	88 (2235)	186 (4715)	159 (4049)	5 (140)	5 (140)	7160 (3248)	7570 (3434)	7250 (3289)
<b>2-stage full free lift (FFL) Hi-Vis™ mast</b>								
126 (3202)	83 (2085)	175 (4425)	148 (3759)	33 (862)	60 (1528)	6960 (3157)	7370 (3343)	7050 (3198)
133 (3402)	86 (2185)	183 (4625)	155 (3959)	37 (964)	64 (1628)	7160 (3248)	7570 (3434)	7250 (3289)
137 (3502)	88 (2235)	186 (4725)	159 (4059)	39 (1012)	66 (1678)	7260 (3293)	7670 (3479)	7350 (3334)
<b>3-stage full free lift (FFL) Hi-Vis™<sub>2</sub> mast</b>								
189 (4800)	83 (2085)	238 (6023)	210 (5399)	33 (862)	60 (1546)	7460 (3384)	7870 (3570)	7550 (3425)
194 (4950)	85 (2135)	243 (6173)	216 (5489)	36 (917)	62 (1596)	7480 (3393)	7890 (3579)	7570 (3434)
200 (5100)	88 (2235)	249 (6323)	222 (5639)	39 (1012)	66 (1696)	7530 (3416)	7940 (3602)	7620 (3456)
218 (5550)	94 (2385)	267 (6773)	239 (6089)	45 (1162)	72 (1846)	7610 (3452)	8020 (3638)	7700 (3493)
236 (6000)	102 (2585)	285 (7223)	257 (6539)	53 (1362)	80 (2046)	7690 (3488)	8100 (3674)	7780 (3529)
<b>4-stage full free lift (FFL) Hi-Vis™ mast</b>								
240 (6098)	84 (2133)	289 (7321)	263 (6678)	35 (910)	61 (1553)	8000 (3629)	8410 (3815)	8090 (3670)
252 (6404)	88 (2235)	301 (7627)	275 (6984)	39 (1012)	65 (1655)	8070 (3660)	8480 (3846)	8160 (3701)
264 (6710)	92 (2336)	313 (7933)	287 (7290)	43 (1113)	69 (1756)	8140 (3692)	8550 (3878)	8230 (3733)

ERC060-070VG Mast Dimensions								
Maximum Fork Height (TOF)	Overall Lowered Height	Overall Extended Height		Free Lift (TOF)		Approx. Total Wt. of Standard Equipped Truck w/o Battery		
		w/ Load Backrest	w/o Load Backrest	w/ Load Backrest	w/o Load Backrest	ERC060VG	ERC065VG	ERC070VG
in (mm)	in (mm)	in (mm)	in (mm)	in (mm)	in (mm)	lbs (kg)	lbs (kg)	lbs (kg)
<b>2-stage limited free lift (LFL) Hi-Vis™<sub>2</sub> mast</b>								
118 (3009)	83 (2085)	167 (4237)	143 (3654)	5 (150)	5 (150)	7570 (3434)	7750 (3515)	7850 (3561)
126 (3209)	86 (2185)	175 (4437)	151 (3854)	5 (150)	5 (150)	7640 (3465)	7820 (3547)	7920 (3592)
130 (3309)	88 (2235)	179 (4537)	155 (3954)	5 (150)	5 (150)	7720 (3502)	7900 (3583)	8000 (3629)
<b>2-stage full free lift (FFL) Hi-Vis™ mast</b>								
118 (3010)	83 (2085)	167 (4237)	144 (3655)	33 (857)	56 (1440)	7630 (3461)	7810 (3543)	7910 (3588)
126 (3210)	86 (2185)	175 (4437)	151 (3855)	37 (957)	60 (1540)	7670 (3479)	7850 (3561)	7950 (3606)
130 (3310)	88 (2235)	179 (4537)	155 (3955)	39 (1007)	62 (1590)	7810 (3543)	7990 (3624)	8090 (3670)
<b>3-stage full free lift (FFL) Hi-Vis™<sub>2</sub> mast</b>								
175 (4468)	83 (2085)	225 (5696)	200 (5095)	33 (857)	57 (1458)	8050 (3651)	8230 (3733)	8330 (3778)
181 (4618)	85 (2135)	231 (5846)	206 (5245)	35 (907)	59 (1508)	8150 (3697)	8330 (3778)	8430 (3824)
187 (4768)	88 (2235)	237 (5996)	212 (5395)	39 (1007)	63 (1608)	8240 (3738)	8420 (3819)	8520 (3865)
205 (5218)	94 (2385)	254 (6446)	230 (5845)	45 (1157)	69 (1758)	8310 (3769)	8490 (3851)	8590 (3896)
223 (5668)	102 (2585)	272 (6896)	248 (6295)	53 (1357)	77 (1958)	8410 (3815)	8590 (3896)	8690 (3942)
<b>4-stage full free lift (FFL) Hi-Vis™ mast</b>								
240 (6098)	84 (2133)	289 (7321)	263 (6678)	35 (910)	61 (1553)	8510 (3860)	8690 (3942)	8790 (3987)
252 (6404)	88 (2235)	301 (7627)	275 (6984)	39 (1012)	65 (1655)	8580 (3892)	8760 (3973)	8860 (4019)
264 (6710)	92 (2336)	313 (7933)	287 (7290)	43 (1113)	69 (1756)	8650 (3924)	8830 (4005)	8930 (4051)

(continued from cover)

### **Foot Directional Control Pedal**

The optional foot directional control pedal is a highly productive directional/accelerator pedal. One pedal allows the operator to change direction and acceleration reducing operator fatigue and resulting in increased productivity. Yale offers the foot direction control pedal as a no charge option.

### **Hydraulic Components**

The hydraulic pump motor is powered by a transistor controller. A flexible coupling joins a brushless, AC induction motor to the pump for long drive life and low noise. The motor and pump are mounted on rubber isolators for reduced noise and vibration. A combination of flexible wire-braid hoses and steel tubing is used to simplify the hydraulic plumbing. These hydraulic lines are carefully routed and held in place to reduce possible damage. A 10-micron full flow hydraulic filter located in the return line protects the hydraulic system from contaminants and helps provide long life. A bypass relief valve permits oil flow in the event of the filter clogging.

### **Hydrostatic Power Steering**

Hydrostatic power steering is standard and the all-hydraulic design gives precise, reliable control while eliminating mechanical linkages and road shocks at the steering wheel. An infinitely adjustable tilt steering column provides excellent operator comfort and visibility.

### **Steering Axle**

The steering axle is a one-piece ductile iron casting mounted on elastic cushions that reduce shock and provide a softer ride. The Continuous Stability System (CSS™) enhances truck stability in a simple, maintenance free design, without compromising uneven surface travel.

### **Masts\Carriage\Forks\Load Backrest Extension**

Hi-Vis™ duplex and quadplex masts, as well as Hi-Vis™2 simplex and triplex masts provide excellent visibility.\*

The mast features flush face design with geometrically matched, angled load rollers, which are canted, yet provide full-face roller contact. A single free lift chain provides increased visibility. The mast front rail flange angle coupled with the inverted "J" inner channel and three degree mast rollers significantly reduces channel web milling and roller wear.

Top accessible, "J-hook" mast mounting system allows convenient and easy mast service. The J-hook mounting is standardized to allow direct mast interchangeability on a variety of Yale® truck models without modification. Bronze steel-backed bushings reduce mounting wear. Class II (ERC045-055VG) and Class III (ERC060-070VG) six-roller carriages are standard. Forks are "upset forged" from a single piece of high-strength steel to give added strength and thickness for wear. A 48" load backrest extension is standard.

### **Frame**

The frame is a unitized construction, stress tested for durability. An integral step on both sides of the truck is provided for easy entry and exit. The truck has a two-piece floor plate that can be easily lifted out for service access. An easily removable counterweight top cover gives easy access to components. A stamped steel, gas spring-assisted battery cover allows easy changing of the battery. The battery compartment can be fitted with rollers.

### **Additional Features**

Additional features on the ERC-VG include an overhead guard, 42" forks, non-suspension seat, seat belt and an operator sensing switch. An infinitely adjustable tilt steering column, rubber floor mat, and electronic horn are also standard.

### **Options**

Accutouch mini-levers  
Foot directional control pedal  
Return to set tilt  
Telescoping steering column with tilt memory  
Rapid charge  
Cooler/freezer package: Operating temperatures: -20° F to + 120° F  
Wide tread  
Non-suspension seat (cloth)  
Full-suspension seat (vinyl or cloth)  
Full-suspension swivel seat (vinyl or cloth)  
Red, high-visibility, non-cinch seat belt with or without start interlock  
Various battery compartment lengths  
Battery rollers  
Overhead guard mounted headlights  
Lowered overhead guard  
Drive-in rack overhead guard  
Key switch controlled lights  
LED and halogen work light/tail light packages  
LED dome/reading light  
10° forward tilt  
Integral sideshift or integral sideshift fork positioner  
48-volt or 80-volt  
Premium Performance Package  
Audible alarm – reverse operation (manually adjustable to 87, 97 or 102 dB)  
Light - Amber strobe  
Various type drive tires  
Type "EE" UL construction  
Dual rear view mirrors  
Panoramic rear view mirrors  
Fire extinguisher  
Accumulator

\* For more information, refer to the Hi-Vis™2 supplement brochure.



YALE MATERIALS HANDLING CORPORATION

P.O. Box 7367, Greenville, NC 27835-7367

[www.yale.com](http://www.yale.com)

Yale is a Registered Trademark and  is a Registered Copyright.  
©Yale Materials Handling Corporation 2016. All Rights Reserved.

Manufactured in our own ISO 9001 and 14001 Registered Facilities

2381-1E 2/2016 All trucks shown with optional equipment.

Truck performance may be affected by the condition of the vehicle, how it is equipped and the application. Consult your Yale® Industrial Truck Dealer if any of the information shown is critical to your application. Specifications are subject to change without notice.

This truck meets all applicable mandatory requirements of ANSI B56.1 Safety Standard for Powered Industrial Trucks at the time of manufacture. Classified by Underwriters' Laboratories, Inc., as to fire and electric shock hazard only for Type E industrial trucks.