

TEUPEN[®]
...access redefined

TL51A

Platform Height:
51 ft 2 in (15.60 m)

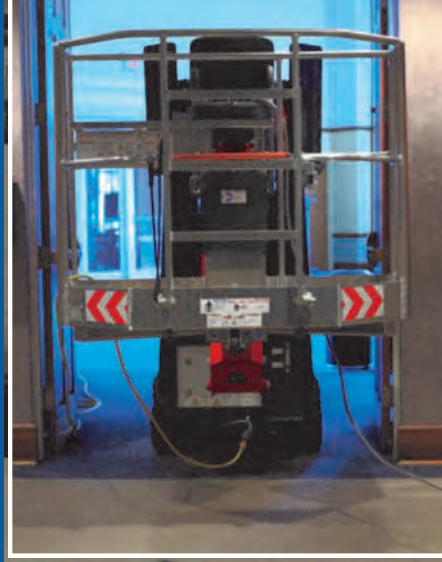
Lateral Reach:
24 ft 10 in (7.40 m)

Machine Width:
2 ft 9 in (0.79 m)

Machine Height:
6 ft 6 in (1.99 m)

Machine Weight:
5,291 lbs (2,400 kg)

- Compact design, travels through a single door
- Light, low surface load for use on sensitive flooring
- Smooth, proportional electro-hydraulic controls
- Reliable and comprehensive safety control system
- Automatic, self leveling outriggers
- Full height and outreach with 441 lbs basket load
- Setup on slopes up to 21%
- Dual power for operating indoor and outdoor



Now available with **Lithium Ion Batteries!**

TEUPEN[®]

PO Box 938, Pineville, NC 28134
info@teupen-usa.com
teupen-usa.com | 877-838-7361

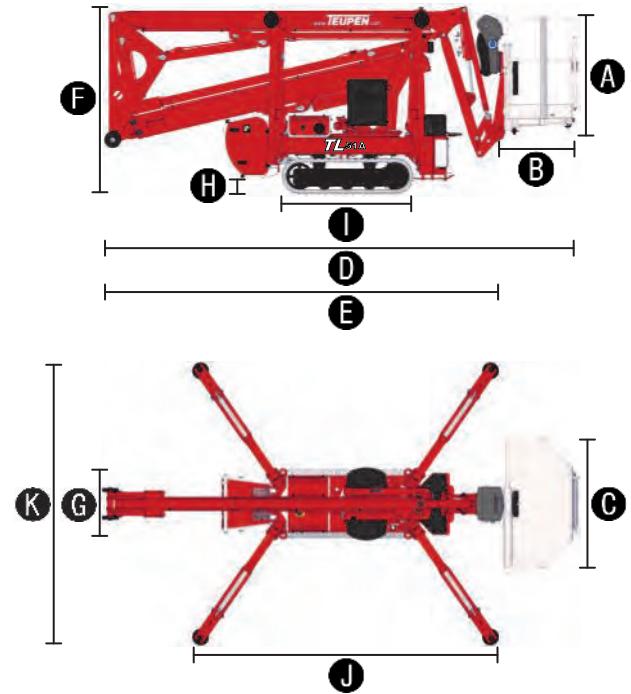
Specifications

MEASUREMENTS	US	Metric
Platform height, max.	51 ft 2 in	15,60 m
Horizontal outreach, max.	24 ft 10 in	7,40 m
Up-and-over clearance, max.	26 ft 11 in	8,20 m
Platform height (A)	3 ft 7 in	1,10 m
Platform length (B)	2 ft 4 in	0,70 m
Platform width (C)	4 ft 8 in	1,42 m
Length, overall (D)	16 ft 10 in	5,12 m
Length without basket (E)	14 ft 5 in	4,39 m
Height, travelling position (F)	6 ft 6 in	1,99 m
Width, min. (G)	2 ft 9 in	0,79 m
Ground clearance, max. (H)	10 in	0,25 m
Track (L x W) (I)	4 ft 9 in x 8 in	145 x 20 cm
Length outrigger footprint, max. (J)	10 ft 10 in	3,31 m
Width outrigger footprint, max. (K)	9 ft 11 in	3,03 m
Outrigger plate Ø	7 in	0,18 m

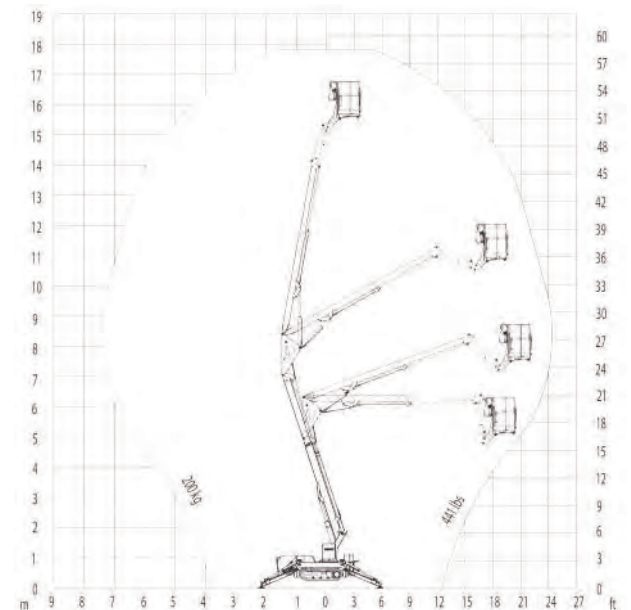
PRODUCTIVITY	US	Metric
Basket capacity	441 lbs	200 kg
Movable jib	-	-
Turret rotation	355°	355°
Stabilization, maximum ground slope	12°/21.0 %	12°/21,0 %
Height and width track adjustment	3/6 in	8/16 cm
Gradeability, max.	19.7°/35.5 %	19,7°/35,5 %
Slope angle	16.7°/30.0 %	16,7°/30,0 %
Travel speed	1.1 mph	1,8 km/h

WEIGHT	US	Metric
Total weight	5,291 lbs	2.400 kg
Live load in travelling position	66.8 psf	3.2 kN/m ²
Live load in working position	59.7 psf	2.86 kN/m ²

POWER		
Standard power sources	1) Electric: 115 V, 19.3 A, 1.6 kW 2) Diesel: Kubota Z 602 (10.8 kW/14.5hp) 3) Lithium Ion: 48V / 120Ah (Option)	
Fuel tank capacity Diesel engine	3.17 gal	12,0 l



WORKING ENVELOPE



STANDARDS COMPLIANCE



Product specifications are subject to change without notice or obligation. Photographs and drawings in this document are for illustrative purposes only. Refer to the appropriate Operator's Manual for instructions on the proper use of this equipment. Failure to follow the appropriate Operator's Manual when using our equipment or to otherwise act irresponsibly may result in serious injury or death. The only warranty applicable to our equipment is the standard written warranty applicable to the particular product and sale and we make no other warranty, expressed or implied. Products and services listed may be trademarks, service marks or trade-names of Teupen Maschinenbau GmbH and/or its subsidiaries in the U.S.A. and many other countries. "Teupen", "Access redefined" and "LEO Series" are registered Trademarks of Teupen GmbH in the United States of America and many other countries. Version 2014-A © 2014 Teupen Maschinenbau GmbH.