

ENGINE SYSTEM

- Mitsubishi® L3E
- Diesel fueled
- EPA Tier 4 – EcoSpeed™ multi-speed operation
- 3 cylinder
- 1.0 L displacement
- Liquid cooled
- Power @ 1,800 rpm – HP (kW):
 - Prime: 10.5 (7.8)
 - Standby: 12.2 (9.1)

Fuel System

- Polyethylene tank – 39.9 gal (151.04 L) usable fuel volume
- Fuel consumption – gal/hr (L/hr):
 - Lights only: 0.195 (0.738)*
 - 100% load: 0.594 (2.25)*
- Exterior fill port diameter: 3.5 in (89 mm)

Cooling System

- Air filter: Dry-type cartridge

Lubrication System

- Oil filter: Full flow, spin-on type
- 1,000-hr service interval**

**Results based on engine manufacturer and field test data after 100-hour engine break-in period and may vary based on factors including age and maintenance of equipment, environmental conditions and fuel density. Consult the Owner's Manual for fuel and maintenance recommendations.*

***To achieve maximum service interval, replacement of oil filter after 50-hour break-in period is required. Consult Owner's Manual for required oil filter model number.*

GENERATOR

- Marathon Electric® – brushless, 60 Hz
- Output:
 - Standby: 6 kW
 - Lights on: 5 kW
- 120/240 VAC, 50/25 A
- ± 1% automatic voltage regulation

SYSTEM CONTROLS

- Power Zone Autolight controller
- Automated dusk-to-dawn or 7-day scheduler operation
- One touch manual starting
- Individual light fixture control
- Programmable service timers – fuel filter, air filter, oil service
- Alarms and warnings
- Electrical trip or shutdown upon fault condition



FLOODLIGHTS

- Four [4] 296 W LED fixtures
 - Lm/fixture: 43,050
 - Total lm: 172,200
- Efficiency: 145 LPW
- Coverage: @ 0.5 ft-c: 19,526 ft² (1,814 m²)
- IP68 LED modules; IP65 rated drivers
- Aluminum and polymer housing
- Fixture-mounted drivers

ELECTRICAL SYSTEM

- 30 A outlet breaker
- Individual floodlight circuits with sealed 5 A breakers
- Convenience receptacles with individual breakers:
 - One 120 VAC, 20 A, GFCI, duplex outlet (NEMA 5-20R type)
 - One 240 VAC, 30 A, twistlock outlet (NEMA L6-30R type)
- Wiring is sized and fused to required amperage draw
- 440 CCA wet cell battery

MAST

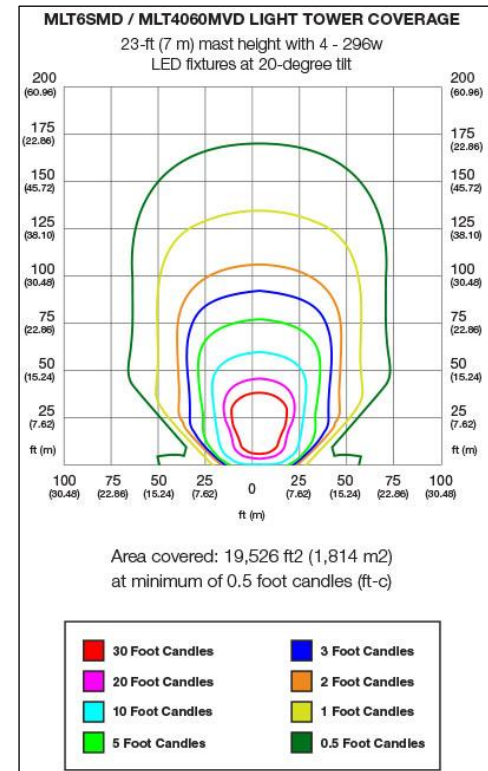
- Vertical operation and storage
- Maximum height: 23 ft (7 m)
- Five sections with polymer guides
- Ground-adjustable light fixtures
- Winch: Dual handle, manual crank
- Distinctive angled fixture mount for common light distribution
- Rotation: 359° range of motion, adjustable from ground during full extension
- Industrial black powder-coat finish
- Self-retracting, coiled mast cord (30 VDC)

ENCLOSURE

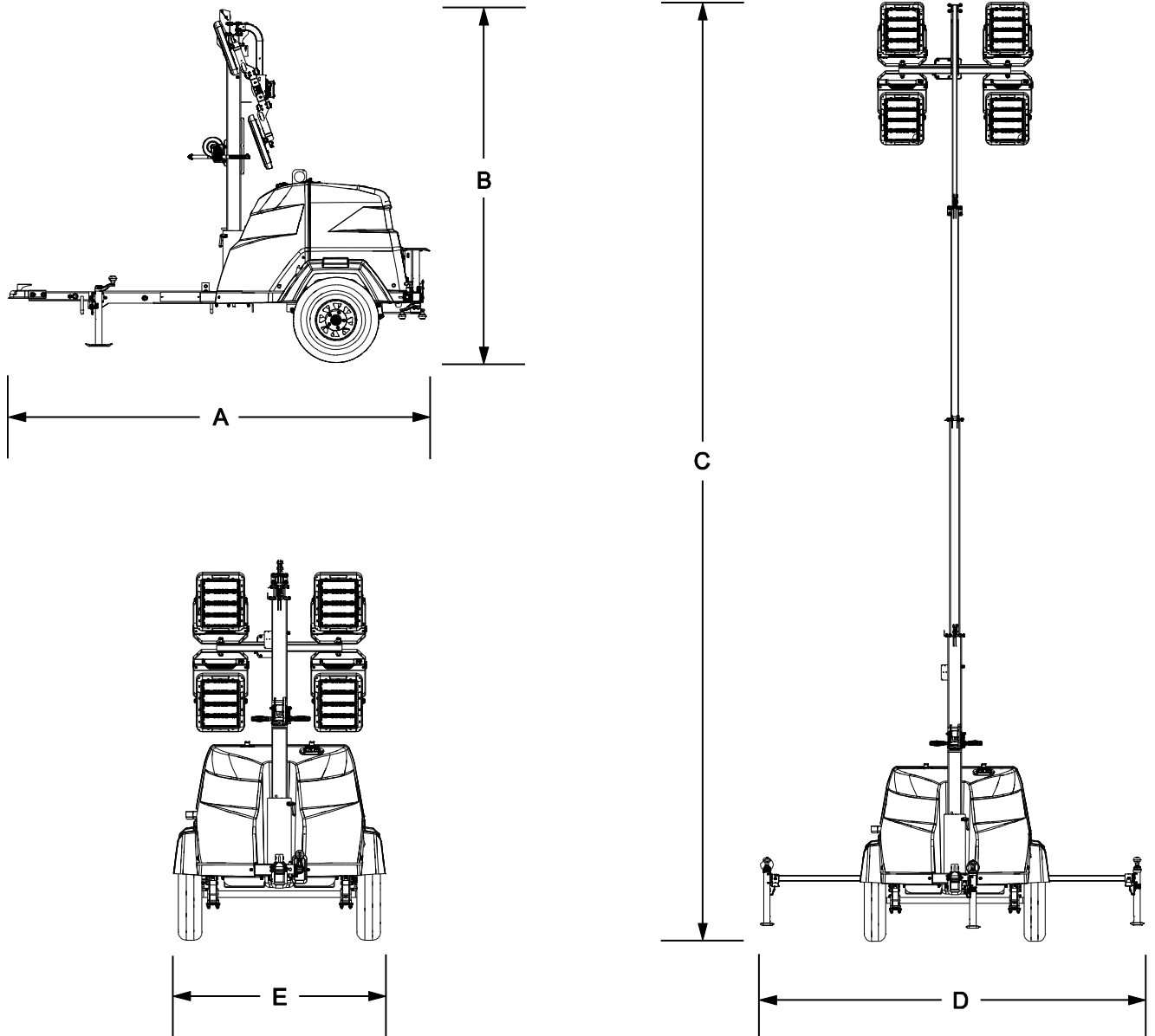
- Hood:
 - Injection-molded with UV protected colorant
 - Flip-up design for ease of service
- Sound rating: 63 dB(A) at 23 ft (7 m) @ low speed operation
- Lifting point and fork pockets
- Multi-lingual operating and safety decals
- Illuminated license plate holder
- Document holder with owner's manual – includes AC and DC wiring diagrams

TRAILER

- Tubular steel frame
- 2 in (50.8 mm) ball hitch
- Three 1,200 lb (544 kg) tube-and-sleeve leveling jacks – lockable into stowed positions
- 7,800 lb (3,538 kg) safety chains with spring loaded safety hooks
- DOT approved LED lights: Tail, side, brake, and directionals
- 2,200 lb (998 kg) leaf spring axle
- Molded polyethylene fenders
- Tires: ST175/80D13, 6 ply
- Track width: 47 in (119.4 cm)



DIMENSIONS



A	B	C	D	E
118 in (3 m)	101 in (2.6 m)	23 ft (7 m)	120.5 ft (3.1 m)	57 in (1.5 m)

WEIGHT

- Dry: 1,340 lb (608 kg)
- Operating: 1,630 lb (739 kg)

AMBIENT CLIMATE RATINGS

- Maximum wind speed: 65 mph (105 kph)
- Maximum air temperature – 120° F (49° C):
- Controller – LCD display tolerance: -40° F (-40° C)

OPTIONS

- Electric mast
- Diffuse LED Fixtures
- Cold weather package options
- Canadian Package (CAN)
 - 60/40 coolant
 - Radiator hose heater
 - Heated fuel filter
 - 775CCA AGM sealed battery
- Additional options available. Please contact a sales representative or the factory for current options.

WARRANTY

- 1 Year / Unlimited Hours
- 2 Years / 2000 Hours on tower
- 5 year limited warranty on LED modules and drivers

CERTIFICATIONS

CSA Certified

FOR MORE INFORMATION

Owner's manual is available at www.generacmobileproducts.com/resources-tools/manuals.